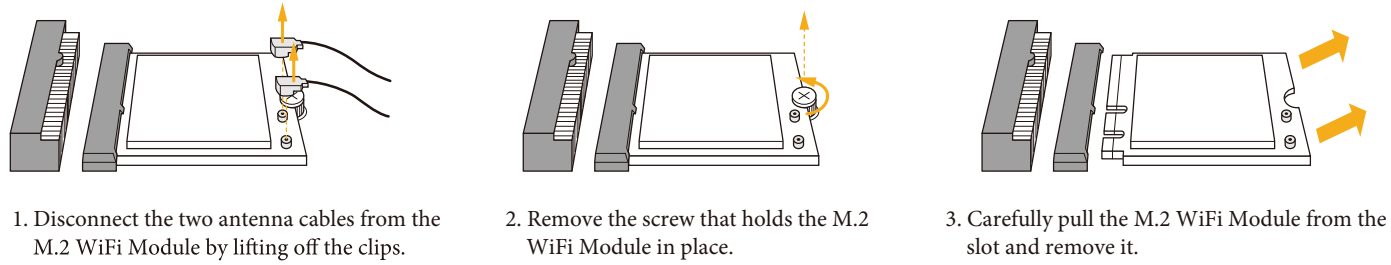


## UNICO MICRO - Quick Installation Guide - Hardware Installation

### A M.2 WiFi Module: How to Remove the M.2 WiFi Module

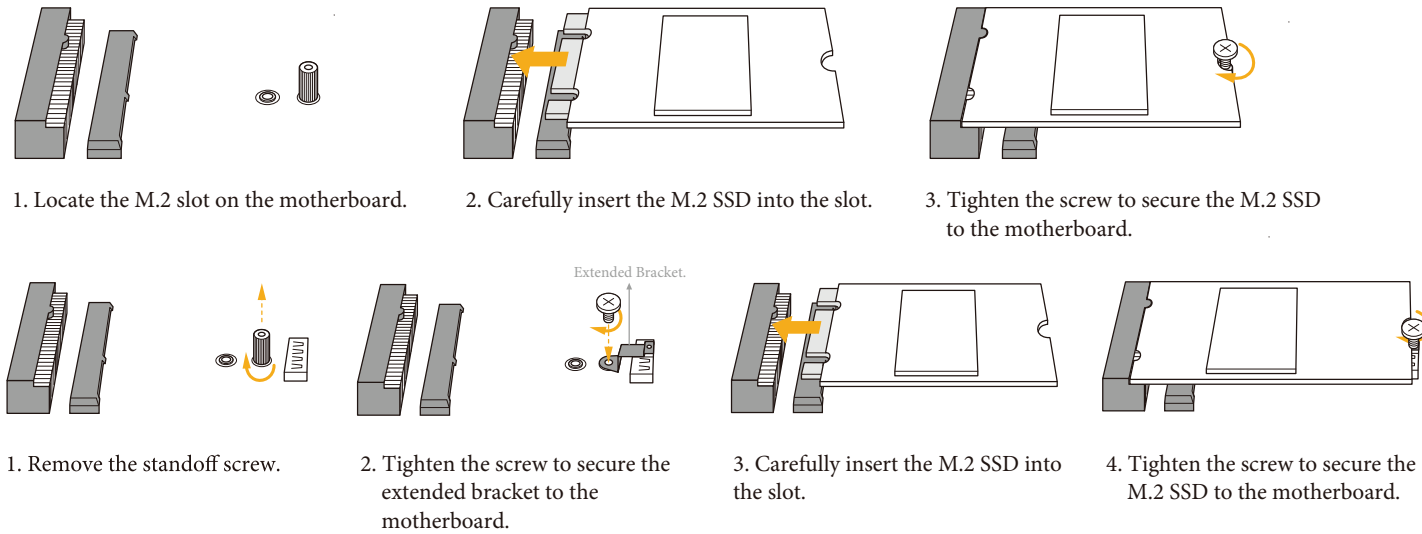
如何拆下M.2無線模組 / So entfernen Sie das M.2-Modul / Comment retirer le module M.2 / Come rimuovere il modulo M.2 / Cómo quitar el módulo M.2 / Извлечение M.2 модуля / Como Remover o Módulo M.2 / M.2 모듈을 제거하는 방법 / M.2 모듈의取り付け方法



1. Disconnect the two antenna cables from the M.2 WiFi Module by lifting off the clips.
2. Remove the screw that holds the M.2 WiFi Module in place.
3. Carefully pull the M.2 WiFi Module from the slot and remove it.

### B M.2 SSD (Type 2260): How to Install the M.2 SSD

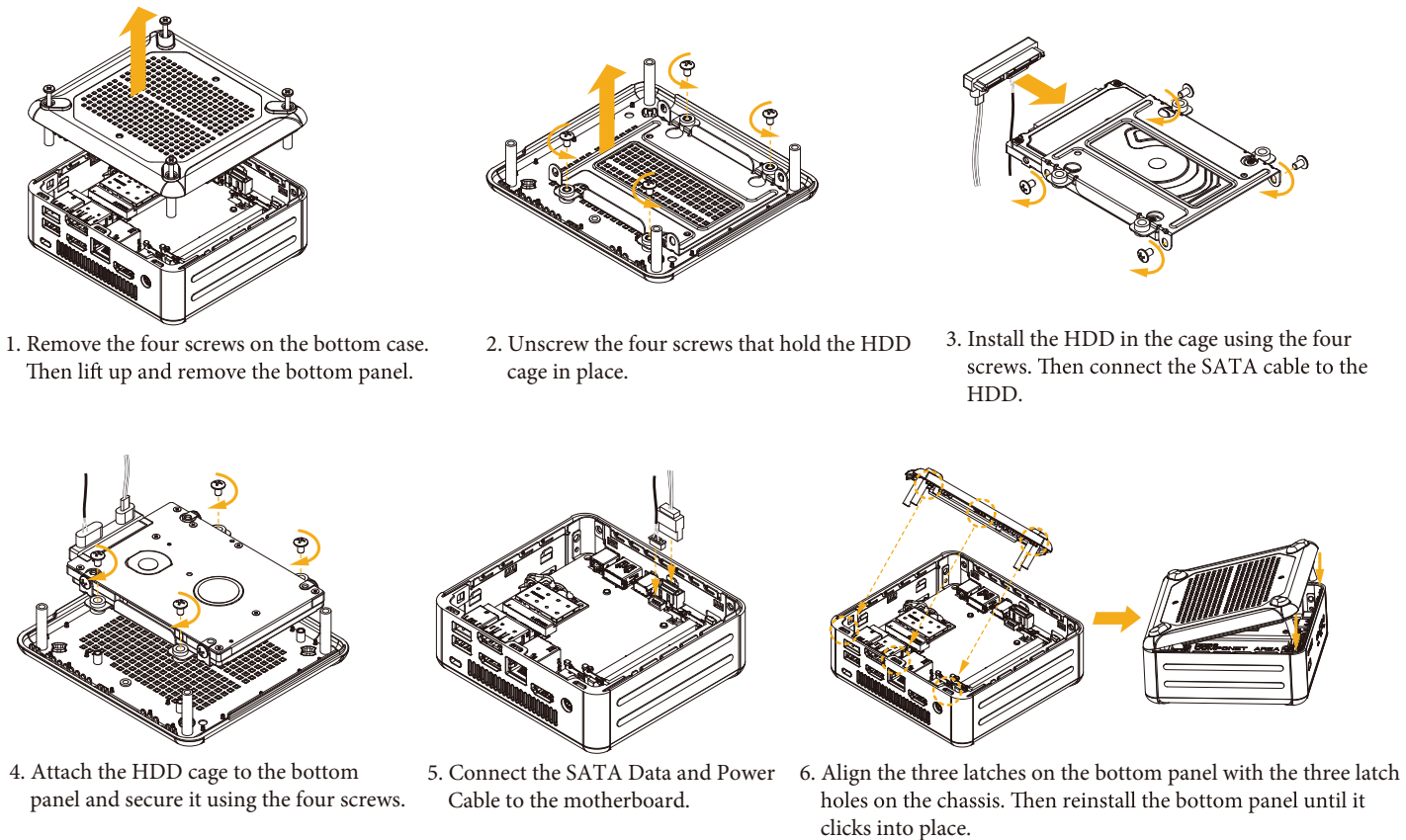
如何安裝 M.2 / SSD So installieren Sie die M.2-SSD / Comment installer le SSD M.2 / Come installare l'unità SSD M.2 / Cómo instalar el disco de estado sólido M.2 / Установка твердотельного диска M.2 / Como Instalar o SSD M.2 / M.2 SSD를 설치하는 방법 / M.2 SSD의取り付け方法



1. Locate the M.2 slot on the motherboard.
2. Carefully insert the M.2 SSD into the slot.
3. Tighten the screw to secure the M.2 SSD to the motherboard.
1. Remove the standoff screw.
2. Tighten the screw to secure the extended bracket to the motherboard.
3. Carefully insert the M.2 SSD into the slot.
4. Tighten the screw to secure the M.2 SSD to the motherboard.

### C 2.5-inch Hard Drive: How to Install the Hard Drive

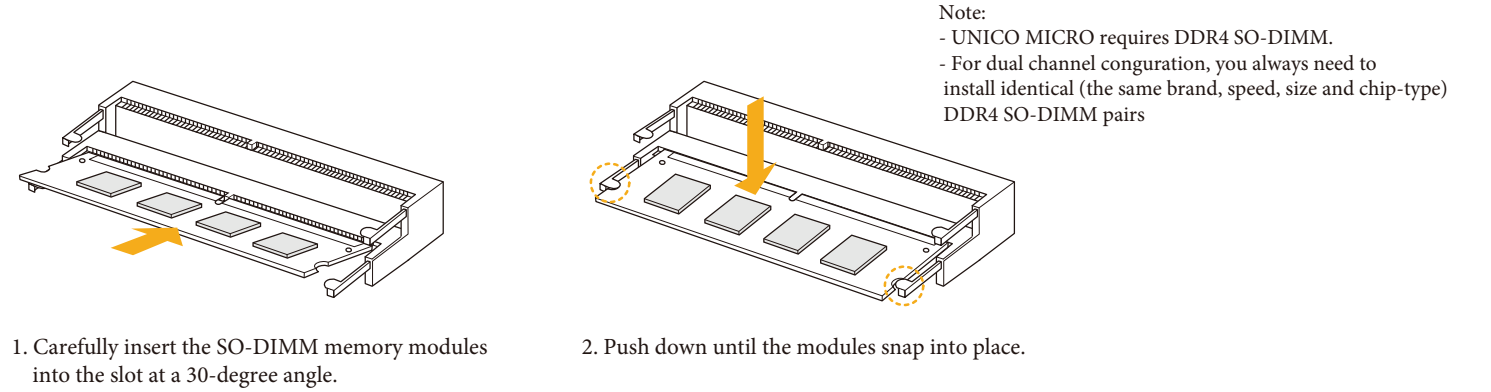
如何安裝硬碟 / So installieren Sie die Festplatte / Comment installer le disque dur / Come installare l'unità HDD / Cómo instalar la unidad de disco duro / Установка жесткого диска / Como Instalar o Disco Rígido / 하드 드라이브를 설치하는 방법 / 하드 드라이브의取り付け方法



1. Remove the four screws on the bottom case. Then lift up and remove the bottom panel.
2. Unscrew the four screws that hold the HDD cage in place.
3. Install the HDD in the cage using the four screws. Then connect the SATA cable to the HDD.
4. Attach the HDD cage to the bottom panel and secure it using the four screws.
5. Connect the SATA Data and Power Cable to the motherboard.
6. Align the three latches on the bottom panel with the three latch holes on the chassis. Then reinstall the bottom panel until it clicks into place.

### D SO-DIMM Slots: How to Install the Memory Modules

如何安裝記憶體模組 / So installieren Sie die Speichermodule / Comment installer les modules de mémoire / Come installare i moduli di memoria / Cómo instalar los módulos de memoria / Установка модулей памяти / Como Instalar os Módulos de Memória / 메모리 모듈 / 메모리 모듈

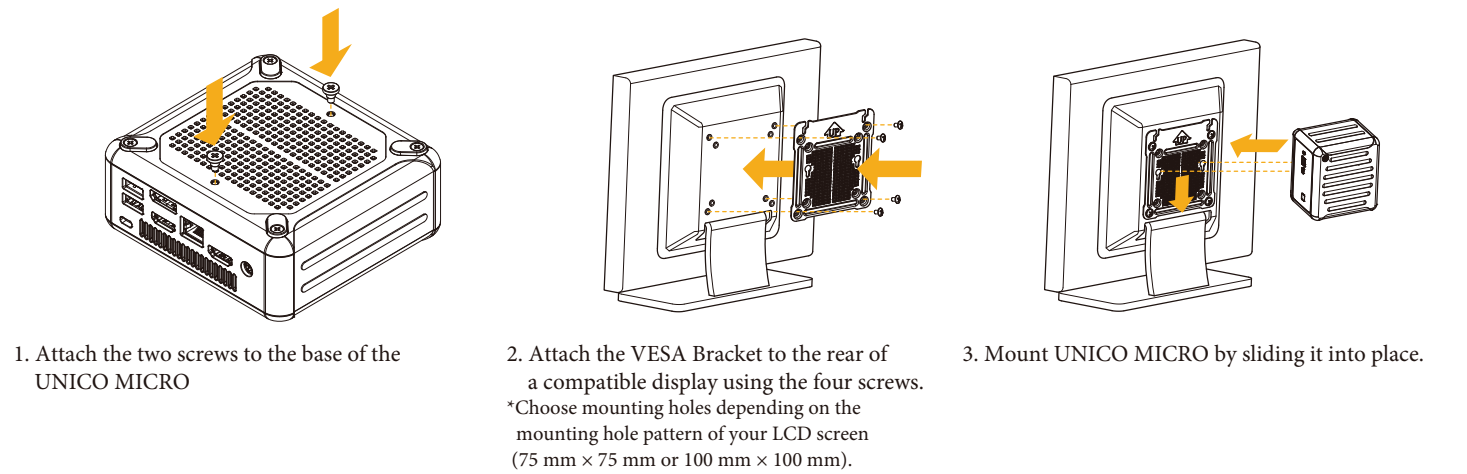


1. Carefully insert the SO-DIMM memory modules into the slot at a 30-degree angle.
2. Push down until the modules snap into place.

Note:  
- UNICO MICRO requires DDR4 SO-DIMM.  
- For dual channel conguration, you always need to install identical (the same brand, speed, size and chip-type) DDR4 SO-DIMM pairs

### How to Install the VESA Bracket

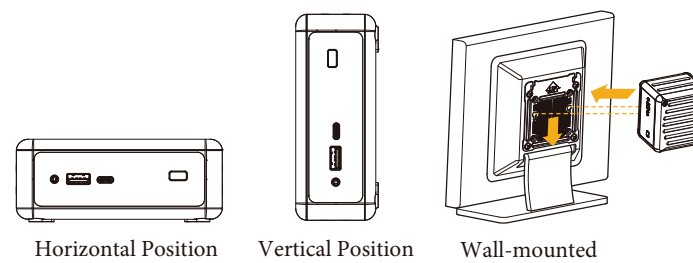
如何安裝 VESA 支架 / So installieren Sie die VESA-Halterung / Comment installer le support VESA / Come installare il supporto VESA / Cómo instalar el soporte VESA / Установка кронштейна VESA / Como Instalar a Braçadeira VESA / VESA 브래킷을 설치하는 방법 / VESA 브라켓의取り付け方法



1. Attach the two screws to the base of the UNICO MICRO
2. Attach the VESA Bracket to the rear of a compatible display using the four screws.  
\*Choose mounting holes depending on the mounting hole pattern of your LCD screen (75 mm x 75 mm or 100 mm x 100 mm).
3. Mount UNICO MICRO by sliding it into place.

### Positions of UNICO MICRO

UNICO MICRO can be placed in vertical or horizontal position



\*Please note that keeping the UNICO MICRO in a vertical position will ensure better cooling performance.

### USB Power On Function:

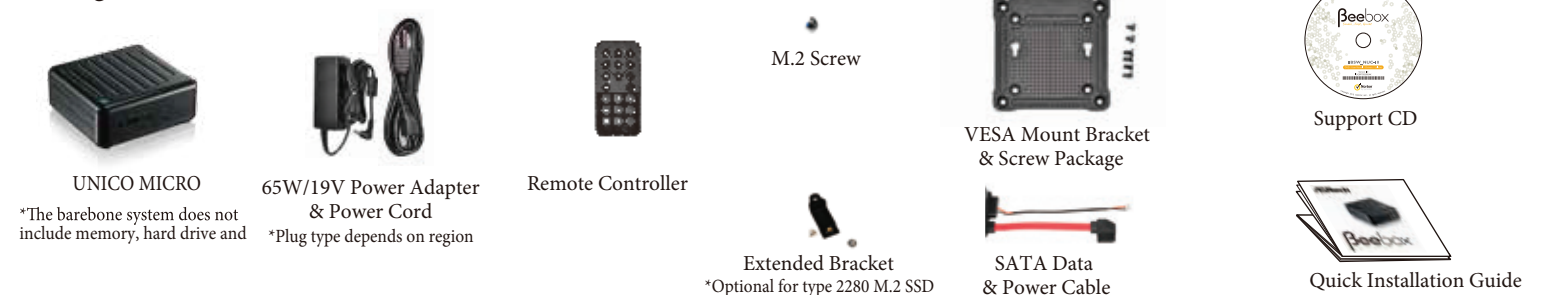


USB Power On Function allows system power on via USB keyboard/mouse.  
This function is useful when the UNICO MICRO is mounted behind your display/TV.  
\*You can also easily power on/off the Beebox series by using the remote controller.

To enable USB Power On Function:

1. Enter BIOS by pressing <F2> or <Del> during device startup.
2. Select "Advanced > ACPI Configuration" from the menu.
3. Set "USB Keyboard/ Remote Power On" and "USB Mouse Power On" settings to "Enabled".
4. Press F10 to Save and Exit.

### Package Contents



- UNICO MICRO  
\*The barebone system does not include memory, hard drive and
- 65W/19V Power Adapter & Power Cord  
\*Plug type depends on region
- Remote Controller
- M.2 SSD.
- M.2 Screw
- Extended Bracket  
\*Optional for type 2280 M.2 SSD
- VESA Mount Bracket & Screw Package
- SATA Data & Power Cable
- Support CD
- Quick Installation Guide